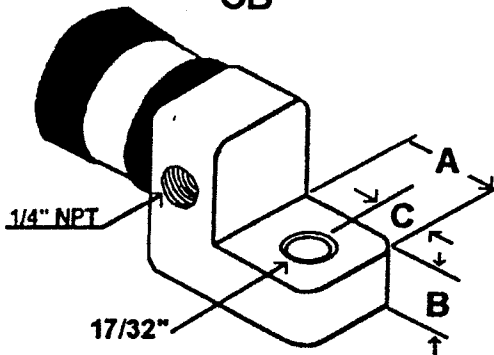


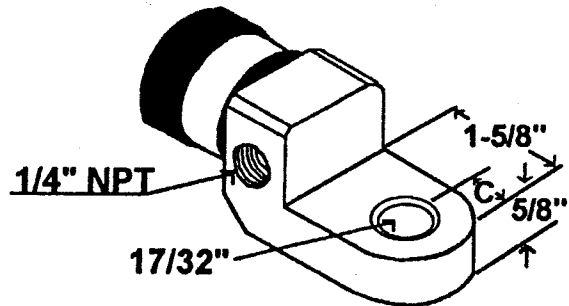
# Terminals for Water-Cooled Jumpers (WCJ)

"CB"



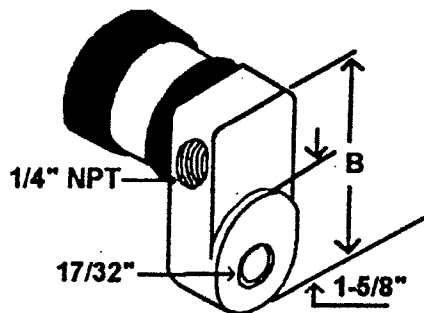
	A =	B =	C =
350-400MCM	1-5/16"	1/2"	9/16"
450-600MCM	1-7/16"	1/2"	5/8"
750-1000MCM	1-1/2"	9/16"	5/8"

"CDB"



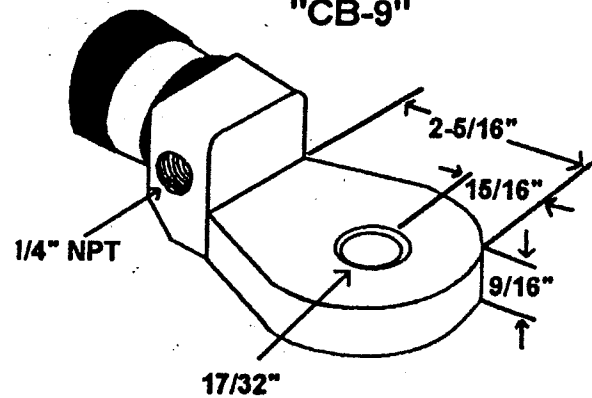
	C =
350-600MCM	9/16" Back
750-1000MCM	5/8" Back

"CB-2"

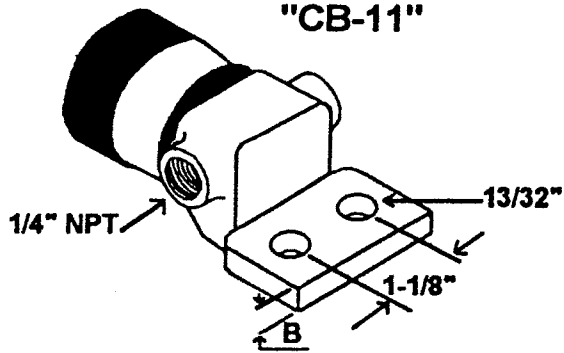


	B =
350-400MCM	2-11/16"
450-1000MCM	3-1/8"

"CB-9"



"CB-11"

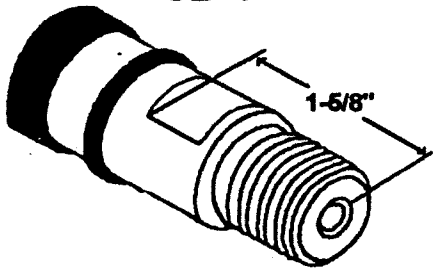


	B =
350-600MCM	9/16"
750-1000MCM	5/8"

Upon request, we can make most any terminal you may require for your special needs.

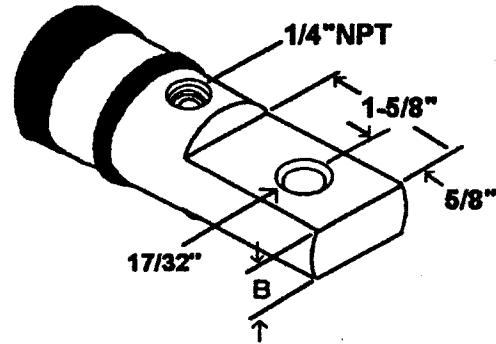
# Terminals for Water-Cooled Jumpers (WCJ)

"CB-4"

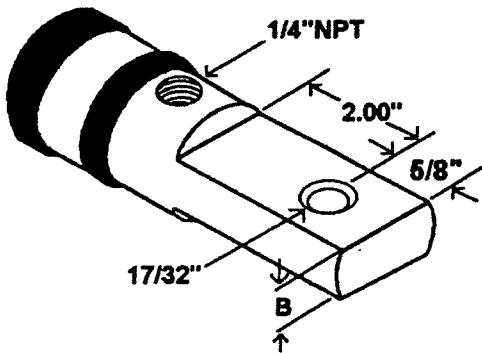


1/2", 3/8" and 3/4" NPT  
Metric Threads also Available  
(Please Specify)

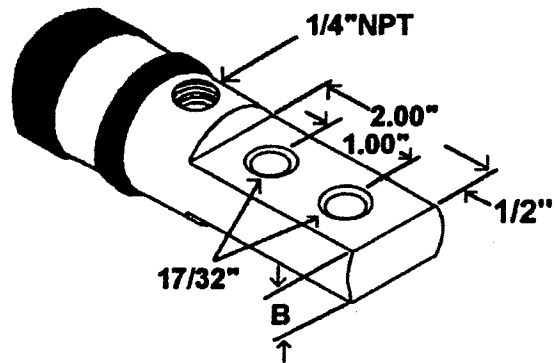
"CB-5"



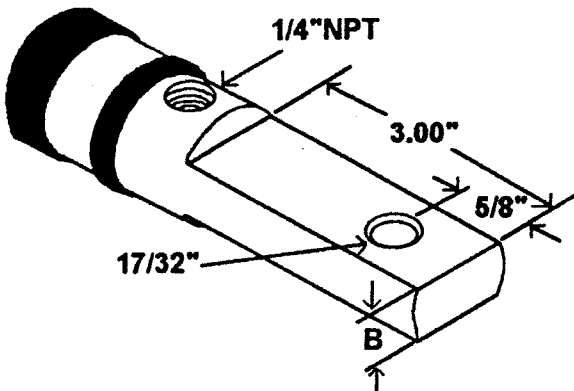
"CB-6"



"CB-6-2"



"CB-7"



<b>B=Thickness</b>	<b>B=Thickness</b>
<b>350-400MCM</b>	<b>450-1000MCM</b>
<b>9/16" Thick</b>	<b>5/8" Thick</b>

Terminals furnished as shown  
**UNLESS** changes are specified.

## WCJ TERMINAL DATA

MCM SIZE	TERMINAL DIA.	OUTER HOSE DIA. (O.D.)
150-300MCM	1.00"	1-7/16"
350-400MCM	1-1/8"	1-9/16"
450-600MCM	1-1/4"	1-11/16"
650-750MCM	1-3/8"	1-13/16"
1000MCM	1-1/2"	1-15/16"